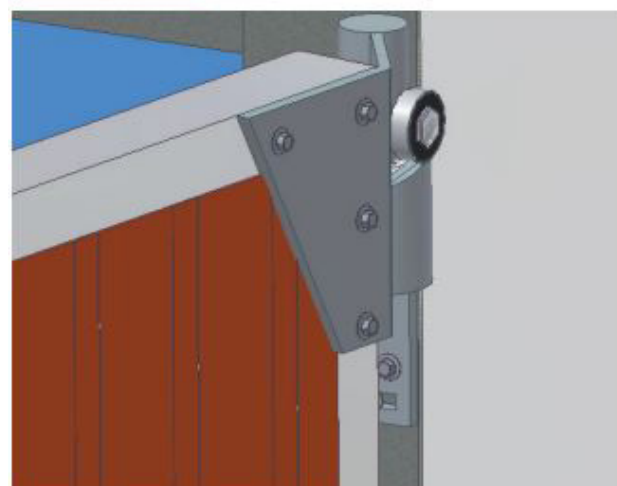
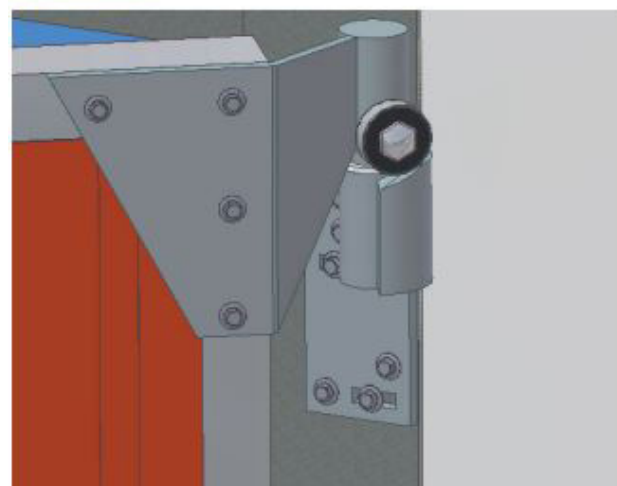
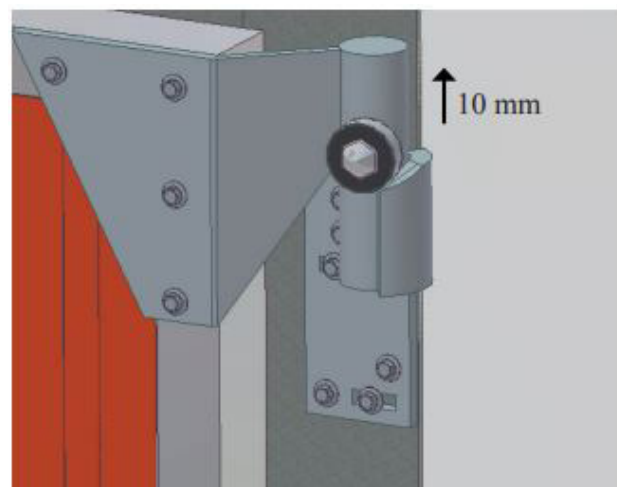


Lifting hinges

Our Ecolid door can be equipped with lifting hinges that raise the door by 10 mm during opening.

The perfect solution for uneven floors. The hinges provide good sealing in the closed position and a soft and smooth opening movement without unnecessary wear on the bottom seal.

On level floors, we recommended our proven standard solution comprising a height-adjustable frame hinge. It is a solution that simplifies installation and allows you to fine-tune the height of the door above the floor for optimal sealing and minimal wear, while also allowing you to continuously adjust the door-to-floor distance, e.g. in the event of thermal expansion and contraction.



Technical prerequisites for lifting hinges

- Hinged doors
- 3-piece folding doors
- 4-piece folding doors
- Manual opening
- 90 degree opening angle
- Max. 3 rows of glass

Maintenance

Replacement of ball bearings and hinge's frame section at 100,000 openings

All our sales in Sweden take place from the head office in Tråvad.

Prido AB. Industrigatan 3, SE-534 92 Tråvad.
Telefon +46512-295 90. www.prido.com

